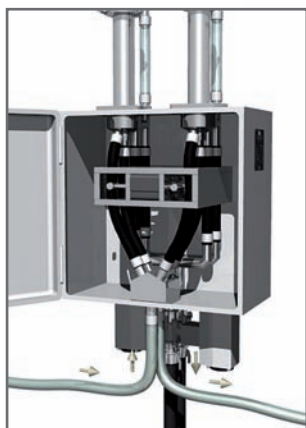


Transferring · Dosing

PFL Powderflex

- Combined system for conveying and dosing powders
- Ideal for toxic and explosive powders
- Continuous feeding
- Precision dosing
- Adjustable transfer capacity
- Perfect for pilot plants
- Streamlines processes
- Oxygen exclusion

PFL Powderflex



The PFL Powderflex* provides continuous and precise dosing and conveying of small to medium quantities of powder, whether the requirement is for the controlled charging of powders into continuous production processes or for predetermined precision dosing.

The system comprises two small, calibrated chambers, each equipped with a flat filter in the upper part. A practically continuous powder flow or precise volumetric dosing is generated through a unique valve system, plus the combined effect of vacuum and pressure, which makes it possible to alternate, at high frequency, between filling and emptying the chambers. The transfer rate is easily adjusted by adapting the volume of the chamber or changing the frequency.



The PFL extracts powder from any container, transferring it over considerable distances. Its simple design ensures minimal maintenance and makes rapid changes of product possible. Powder characteristics are not modified during transfer. The PFL is to powder what a peristaltic pump is to liquids.

Design

- AISI type 316L stainless steel, electro-polished
- Other materials available (HC22, plastics, etc.)
- Various hose selection according to application

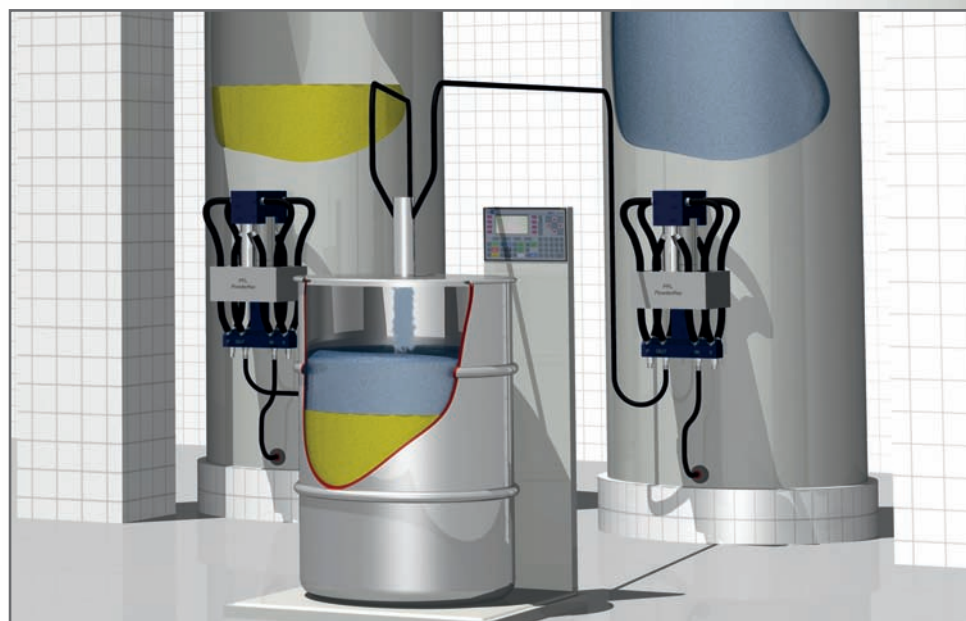
Features

- Constant feeding of process equipment (reactors, dryers, jetmill, etc.)
- Precision conveyance and dosing (1-2%)
- Enhanced precision (< 1 g) when combined with weighing device
- Automatic adjustment of transfer capacity
- Extracts powders from multiple containers (big bags, silos, drums, etc.)
- Conveys over long distances (> 50 m)
- Operable 24/7
- Permits mixing of several components online
- Economical creation of multiple dosing stations
- Operates under inert gas
- Charges inerted equipment
- Transfers explosive powders
- Compact, mobile, easy to dismantle
- Easy to clean - CIP

Options

- Adjustable chamber volumes
- CIP
- Portable unit
- Design according to containment level
- Weighing system

*Patent pending



Model	PFL 01	PFL 1	PFL 5	PFL 10	PFL 50	PFL 100
Volume cm ³	0.1	1	5	10	50	100
Frequency Cycles/sec. max.	5	5	3	2	1	0.75
Conveying Capacity dm ³ /h	1.8	18	54	72	180	270