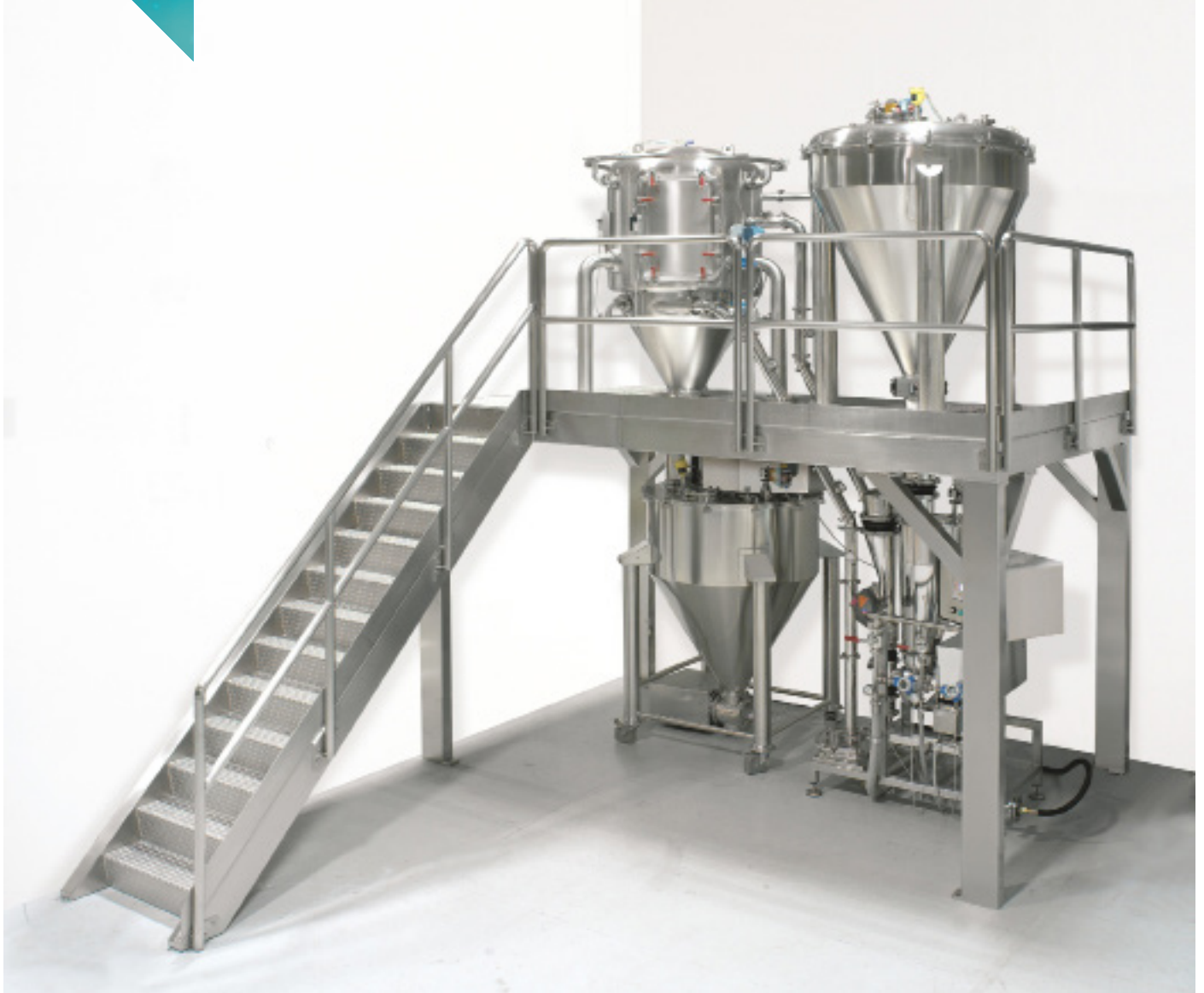


Micronizing
MC DecJet® 300

Production Scale



- Hundreds of installations worldwide
- Most advanced jet mill on the market
- Effective with more products than any other jet mill available today
- Highly efficient
- Single pass technology
- Handles sticky, abrasive and very hard products
- Scalable product range
- Easy to clean, absence of screws
- Accurate reproduction from development to production

Micronizing MC DecJet® 300

Production Scale



MC DecJet® 300 is a production scale unit, suitable for micronizing up to 200 kg per hour.

Technical features

High grade materials

AISI type 316L stainless steel mirror polished to RA 0.25 microns or Hastelloy

Rapid cleaning and easy validation

Ease and quickness in assembling and disassembling, as well as a limited number of components

Simplicity of the whole unit

Total absence of screws (replaced by tri-clover fittings), no crevices, smooth and regular surfaces

Very low production loss

- Typical yields are 99.5 % of batch size, no blow-back phenomenon, limited caking of sticky powders
- One single collection point

Further advantages

- The lowest consumption of process gas of similarly sized units available on the market
- Process at constant temperature (endothermic)
- No heat generation
- Easy scale up maintaining the same PSD (Particle Size Distribution)

Options

- Volumetric or gravimetric pharma execution feeder with various hopper dimensions available
- Jet mill in top or bottom discharge configurations
- Special internal linings: Stainless steel, PTFE, PUR (Volkollan), ceramic, titanium nitride
- Sanitary rotary valve for production collection
- CIP and SIP systems

- Explosion proof systems (10 bars pressure resistant or burst disk)
- System fully automated by PLC with full batch reporting
- Integration of PAT technology, in-line particle size analysis
- Hazardous area versions available in compliance with US and ATEX standards

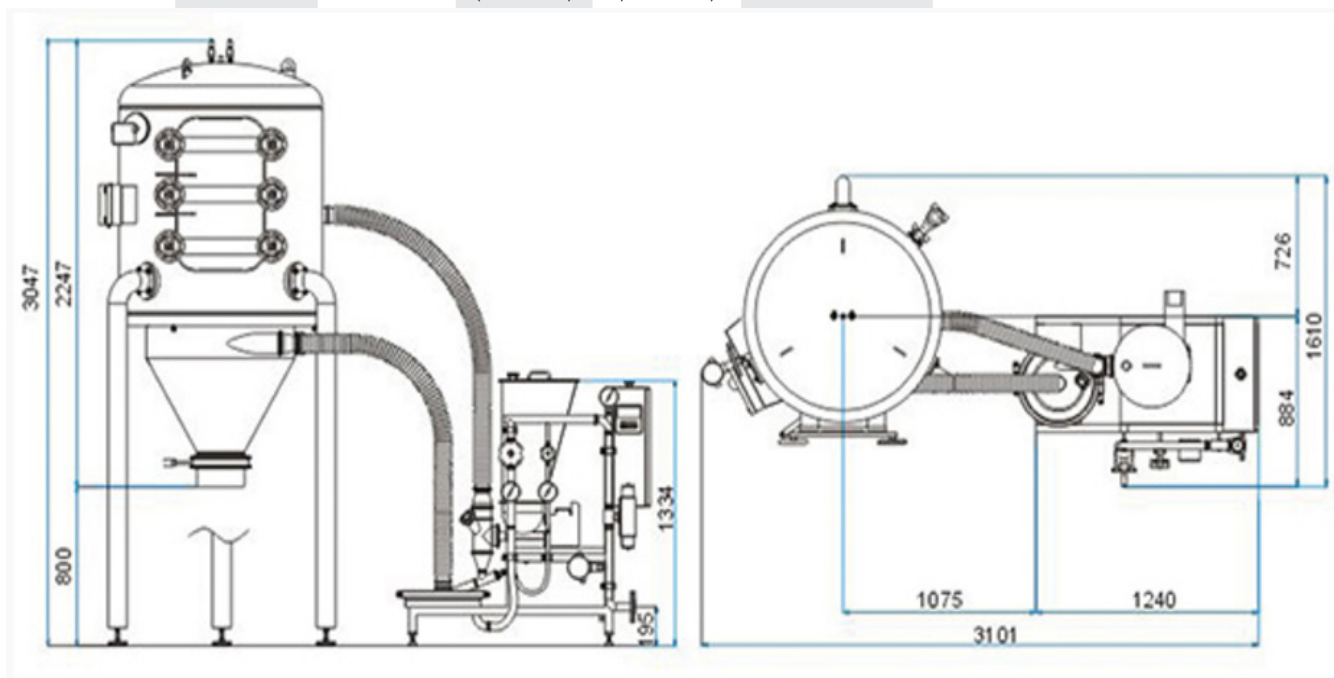
Alternative versions

Simplified versions based on the same pharma concept can be customized for other applications:

- Fine chemicals
- Cosmetics
- Food

Technical Data

Nominal diameter	Estimated capacity	Batch size	Process gas @ 7 bar	Process gas @ 12 bar	Installed power
300 mm 12 inches	5 kg - 200 kg/h	5 kg - 2000 kg	3.89 Nm ³ /min (137.37 CFM)	6.67 Nm ³ /min (235.55 CFM)	1.2 kW 1.6 HP



MC DecJet® - patented technology

Dec Group Headquarters: Dietrich Engineering Consultants sa · Z.I. Larges Pièces A · Ch. du Dévent · P.O. Box 9
1024 Ecublens · Switzerland · Tel +41 21 694 20 40 · Fax +41 21 694 20 59 · info@dec-group.net